

# Hollymatic **Stainless Steel Hydraulic Stuffers**



**Hollymatic 28**

**Hollymatic 55**

**Hollymatic 88**



**Hollymatic®**

FOOD PROCESSING EQUIPMENT SINCE 1937

Hollymatic Corporation  
600 E. Plainfield Road  
Countryside, Illinois 60525

Hollymatic Warranty: Six (6) months from date of purchase.  
Refer to warranty certificate for terms and conditions.  
© Copyright Hollymatic Corporation. All Rights Reserved.

708/579-3700 v.  
708/579-1057 f.  
hollyinfo@hollymatic.com  
www.hollymatic.com

## HYDRAULIC STUFFERS

The design, finish and the quality of materials give an exceptional reliability and long life.

This machine is available in three capacities - 28, 55, and 88 pounds - and is made completely in **stainless steel**. The footprint of the machine is one of the smallest available, which makes it ideal for the majority of meat markets and processing plants.

These stuffers are provided with features that set it apart from others and ensure its success in the market place.



Portion Control (option)

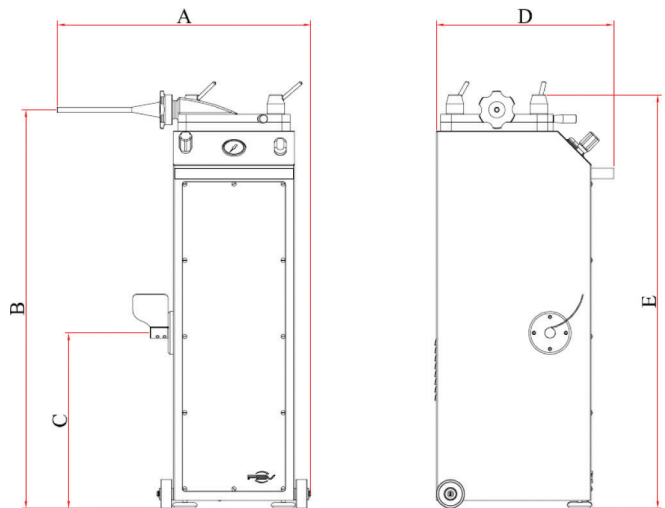
**Hydraulic power unit.** This is a self-contained stainless steel oil tank with the advantage that the oil does not get contaminated and regular oil changes are not essential. The pump is also safeguarded; its working life extended and noise levels are reduced. Machines are delivered filled with oil and can be put into operation immediately.

**Stainless steel head cover** has twin-locking handles and is completely removable for ease of cleaning. An o-ring seal is also fitted to reduce any risk of leakage. The piston is fully stainless steel, is detachable, and connects to a stainless steel ram.

**Portion Control Option:** Capable of portioning from 0.7 to 17.6 ounces.

## DIMENSIONS

	Hollymatic 28	Hollymatic 55	Hollymatic 88
A	23.8"	26.0"	28.7"
B	38.4"	43.4"	47.6"
C	19.6"	19.6"	19.6"
D	16.9"	19.7"	23.2"
E	39.9"	45.2"	50.0"



Model	Capacity	Dimensions (in.)	Weight (lbs.)	Voltage	Oil Tank Capacity	Power	Standard Equipment
28	28.6 lbs.	16.9 x 23.8 x 39.9	192	1-phase 220 V, 60 Hz	1.6 gal.	.75 HP	3 stainless steel horns 14 mm, 22 mm, 30 mm
55	55 lbs	19.7 x 26.0 x 45.2	303	1-phase 220 V, 60 Hz	2.4 gal.	1 HP	3 stainless steel horns 14 mm, 22 mm, 30 mm
88	88 lbs.	23.2 x 28.7 x 50.0	550	1-phase 220 V, 60 Hz	4.0 gal.	1.5 HP	3 stainless steel horns 14 mm, 22 mm, 30 mm



**Hollymatic.**

FOOD PROCESSING EQUIPMENT SINCE 1937